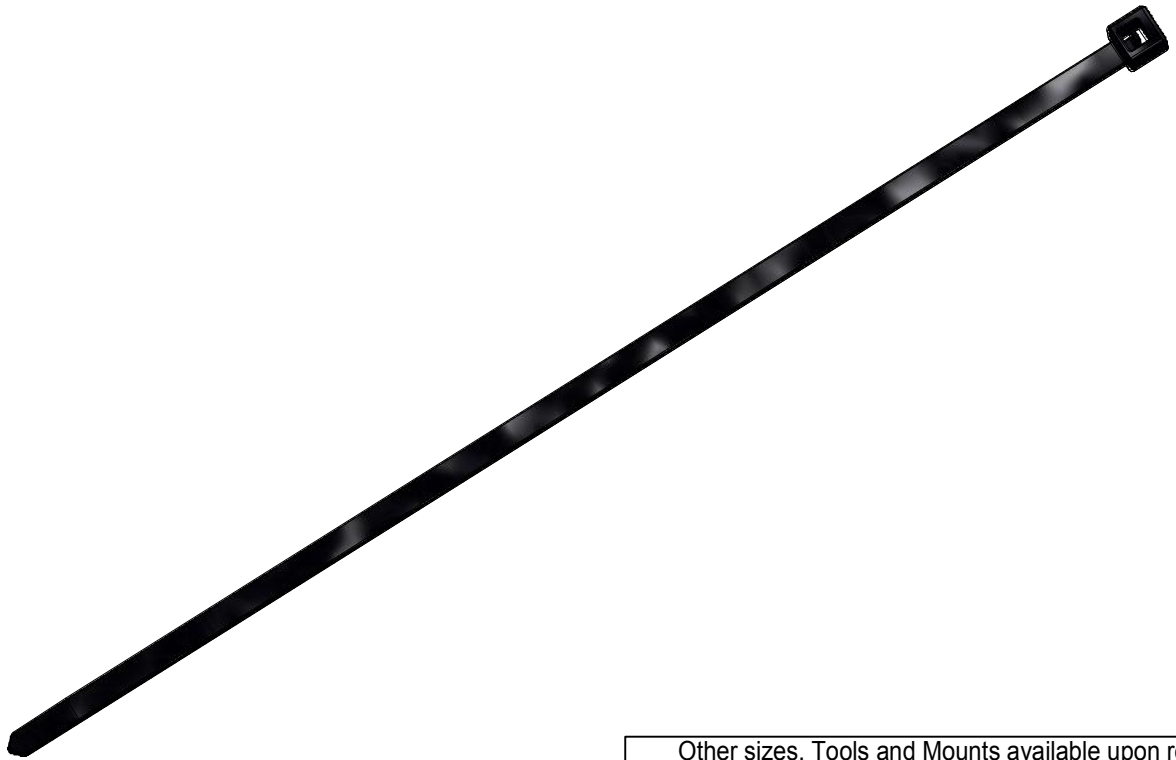

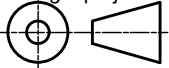


MPC TYPE "U-Tie"



Other sizes, Tools and Mounts available upon request

SIZES							
Min ø	Max ø	Width	Length	Color	Min Temp	Max Temp	Min.Tensile
mm	mm	mm	mm		°C	°C	Strength Loop N
1.5	22	2.5	100	Neutral/Black	-40	85	79.461
1.5	35	2.5	150	Neutral/Black	-40	85	79.461
1.5	53	2.5	200	Neutral/Black	-40	85	79.461
1.5	33	3.6	140	Neutral/Black	-40	85	178.542
1.5	44	3.6	180	Neutral/Black	-40	85	178.542
1.5	53	3.6	200	Neutral/Black	-40	85	178.542
1.5	69	3.6	280	Neutral/Black	-40	85	178.542
1.5	76	3.6	300	Neutral/Black	-40	85	178.542
3	24	4.8	120	Neutral/Black	-40	85	217.782
3	35	4.8	150	Neutral/Black	-40	85	217.782
3	40	4.8	180	Neutral/Black	-40	85	217.782
3	50	4.8	200	Neutral/Black	-40	85	217.782
3	70	4.8	280	Neutral/Black	-40	85	217.782
3	76	4.8	300	Neutral/Black	-40	85	217.782
3	102	4.8	370	Neutral/Black	-40	85	217.782
3	105	4.8	390	Neutral/Black	-40	85	217.782
5	63	7.6	240	Neutral/Black	-40	85	533.664
5	76	7.6	300	Neutral/Black	-40	85	533.664
5	102	7.6	370	Neutral/Black	-40	85	533.664
5	105	7.6	390	Neutral/Black	-40	85	533.664
5	150	7.6	540	Neutral/Black	-40	85	533.664
8	230	9	780	Neutral/Black	-40	85	778.914
12.5	203	12.6	730	Neutral/Black	-40	85	1118.34

	Material:	PA 6.6	Part number:	U-TIE	
	Third angle projection:		Description:	MPC Industries, U-Tie, Polyamide 6.6 (PA6.6) UL 94V-2	
Drawn by: Gyula	Creation date: 12/01/2015			Revision:	
Scale 1:1	Units: mm			Format:	A4
MPC Industries B.V. Badweg 38 8401 BL Gorredijk Postbus 225 8400 AE Gorredijk. Tel.: . 0513 465477 Fax.: 0513 465736					