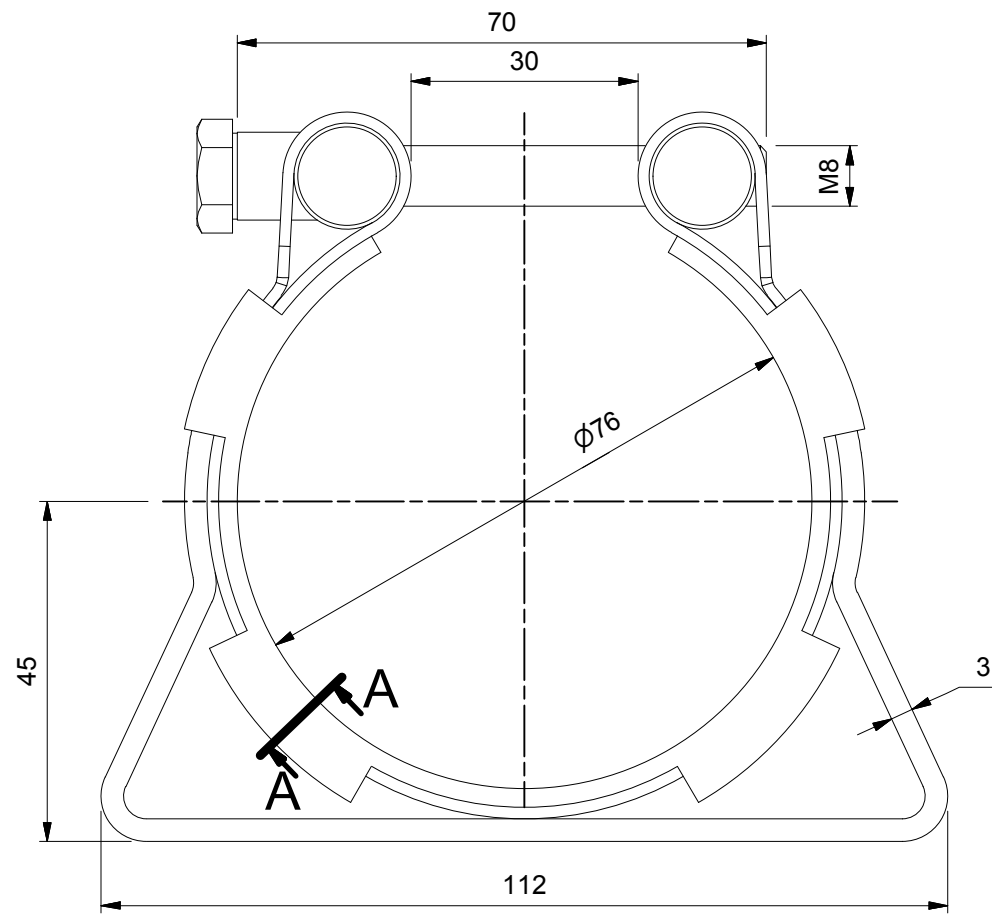
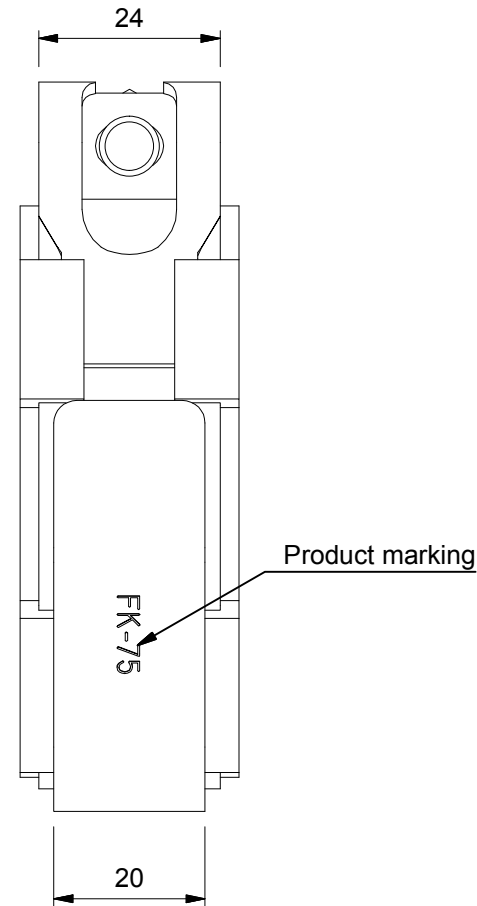


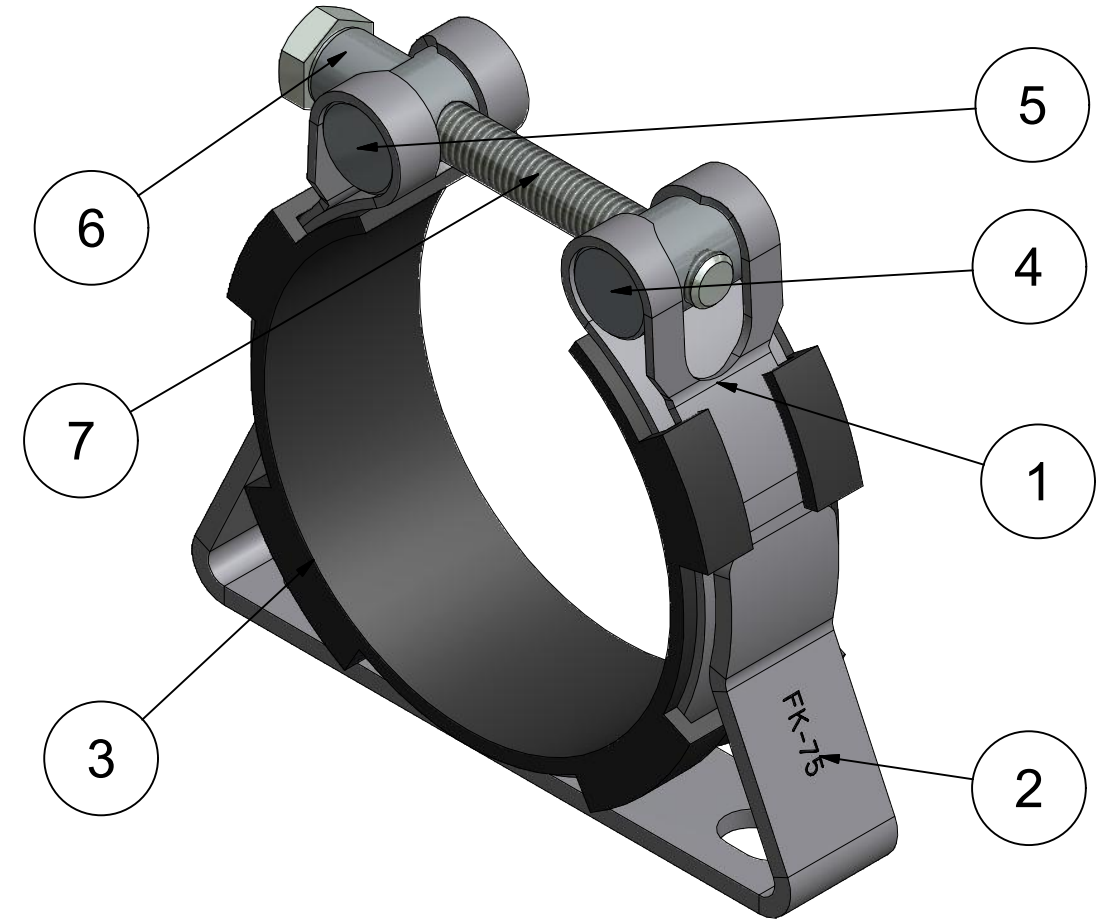
Front view ( 1 : 1 )



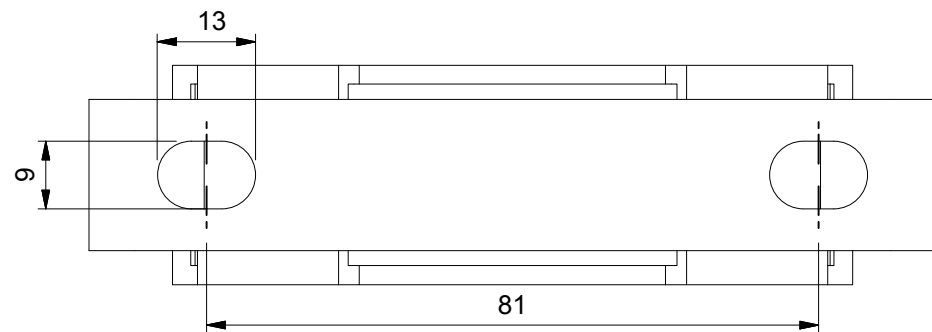
Side view ( 1 : 1 )



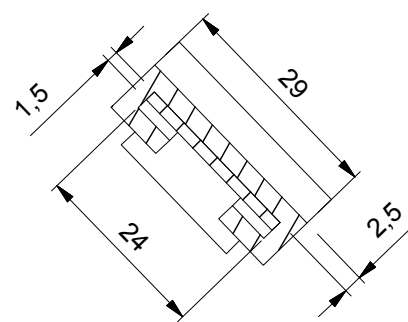
Parts identification ( 1 : 1 )



Bottom view ( 1 : 1 )




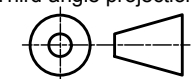
A-A ( 1 : 1 )



Item	Qty	Description	Material
1	1	Clamp part	Zinc plated Steel, Mild
2	1	Console part	Zinc plated Steel, Mild
3	1	Rubber part	EPDM Rubber Shore hardness 65°±5°
4	1	Trunnion Ø14x23xM8	Zinc plated Steel, Mild
5	1	Trunnion Ø14x23xØ8,5	Zinc plated Steel, Mild
6	1	Spacer Ø11.6x11x1.2	Zinc plated Steel, Mild
7	1	Hex head screw M8x70	Zinc plated ST 8.8

Product mark:  
FK-75

Revision history			
Rev.	Date	Description	AUTHOR
-	26-4-2004	Drawing created	Martin
1	21-3-2013	Inventor drawing created	gyula
2	27-1-2014	Drawing renewed	gyula

	Material:	Dimensions: -
	Doc no.: MPC-FK75.dwg	
Third angle projection:		
Part number:		<b>MPC-FK75</b>

Drawn by: gyula	Creation date: 21-3-2013	Description: MPC Industries Accumulator clamp type 1, Ø70-76mm, W1	Revision: <b>2</b>
Checked by:	Checked date:		Format: <b>A3</b>
Scale: 1:1	Units: mm		
Status: Released			

NOTICE TO PERSONS RECEIVING THIS DRAWING AND/OR TECHNICAL INFORMATION:  
MPC Industries BV claims proprietary rights to the material disclosed hereon. This drawing and/or technical information is issued in confidence for engineering information only and may not be reproduced or used to manufacture anything shown or referred to hereon without direct written permission from MPC Industries BV to the user. This drawing and/or technical information is the property of MPC Industries BV and is loaned for mutual assistance to be returned when its purpose has been served.  
THIS DRAWING AND/OR TECHNICAL INFORMATION IS THE PROPERTY OF MPC INDUSTRIES BV