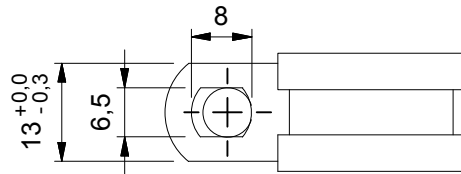


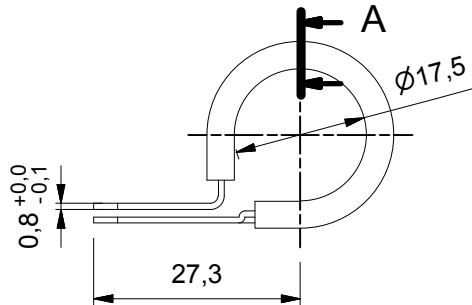
Delivery form (1 : 1)

Parts identification (1 : 1)

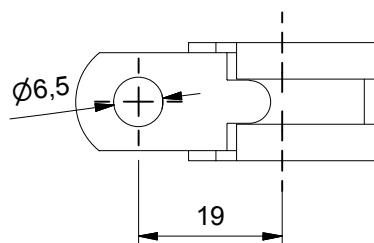
Top view (1 : 1)



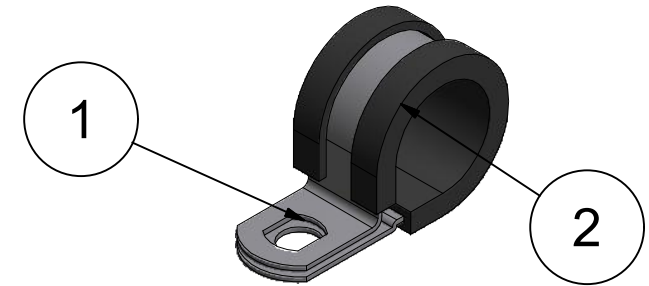
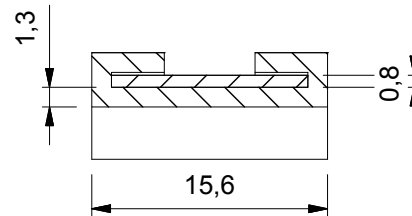
Front view (1 : 1)



Bottom view (1 : 1)



A-A (2 : 1)



Item	Qty	Description	Material
1	1	Clamp part	AISI 316
2	1	Rubber part	EPDM Rubber Shore hardness 65°±5°

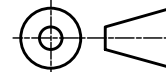
Revision history			
Rev.	Date	Description	AUTHOR
-	24-2-2010	Drawing created	Martin
1	26-2-2014	Drawing renewed	gyula



Material: Dimensions: -

Doc no.: LKD5709L..dwg

Third angle projection:



Part number:

LKD5709L

Drawn by: gyula Creation date: 26-2-2014

Checked by: Checked date:

Scale 1:1 Units: mm

Status: Released

Description:

MPC Industries Single lip fixing clip Ø17,5-Ø19mm/ 13mm. Bandthickness 0,8mm. W5

Revision:

1

Format:

A4

NOTICE TO PERSONS RECEIVING THIS DRAWING AND/OR TECHNICAL INFORMATION:
MPC Industries BV claims proprietary rights to the material disclosed hereon. This drawing and/or technical information is issued in confidence for engineering information only and may not be reproduced or used to manufacture anything shown or referred to hereon without direct written permission from MPC Industries BV to the user. This drawing and/or technical information is the property of MPC Industries BV and is loaned for mutual assistance to be returned when its purpose has been served.

THIS DRAWING AND/OR TECHNICAL INFORMATION IS THE PROPERTY OF MPC INDUSTRIES BV