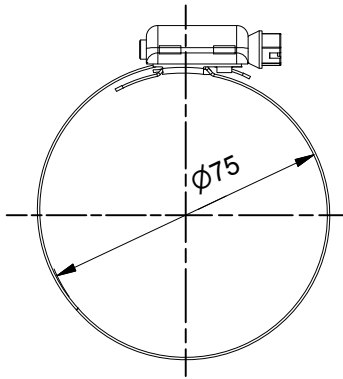
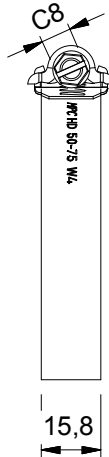


Left view (1 : 2)



Front view (1 : 2)



Iso view (1 : 2)



Delivery diameter: Ø75 mm

Revision history

Rev.	Date	Description	DESIGNER
1	11-11-2014	Screw must be lubricated with industrial grease	M. Wiersma

Screw lubricated with grease.

No sharp edges and burrs.



© 2013 MPC INDUSTRIES BV, developed and designed by MPC INDUSTRIES BV

General Tolerances: according to: DIN 2768-VL

SURFACE TREATMENT AND OR PROTECTION:

NOTICE TO PERSONS RECEIVING THIS DRAWING AND/OR TECHNICAL INFORMATION:

MPC Industries BV claims proprietary rights to the material disclosed herein. This drawing and/or technical information is issued in confidence for engineering information only and may not be reproduced or used to manufacture anything shown or referred to hereon without direct written permission from MPC Industries BV to the user. This drawing and/or technical information is the property of MPC Industries BV and is loaned for mutual assistance to be returned when its purpose has been served.
THIS DRAWING AND/OR TECHNICAL INFORMATION IS THE PROPERTY OF MPC INDUSTRIES BV

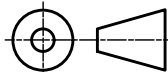
DO NOT SCALE FROM DRAWING.

Material:

Dimensions:

Doc no.: HD405072.dwg

Third angle projection:



Part number:

HD405072

Description:

MPC Industries HD clamp, Ø 50-75 mm, W4 aisi 304

Revision:

1

Format:

A4

Drawn by: gyula

Creation date: 11/11/2014

Checked by: M. Wiersma

Checked date: 25/11/2014

Scale 1:1

Units: mm

Status: Released