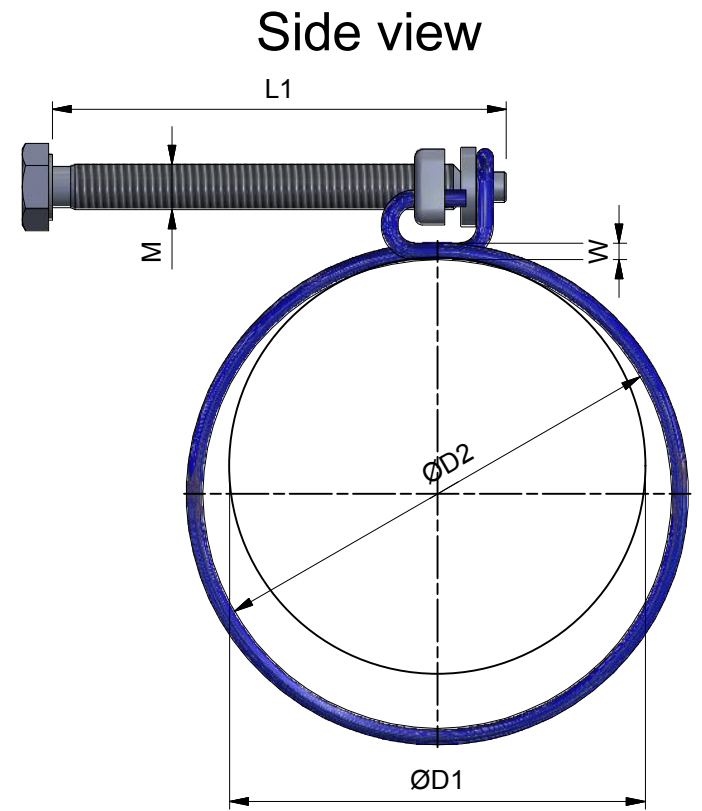
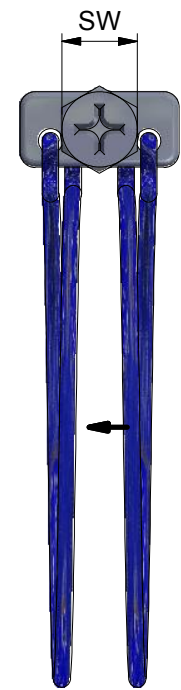


MPC Industries BV Wire clamp sizes:

| Min       |           | Max       |       | W1 |    |  | W4        |       |   | Tightening |         | Breaking |
|-----------|-----------|-----------|-------|----|----|--|-----------|-------|---|------------|---------|----------|
| Diameter: | Diameter: | Wire      | Screw |    |    |  | Wire      | Screw |   | Torque:    | Torque: |          |
| d1        | d2        | thickness | L1    | M  | SW |  | thickness | L1    | M | AD*        | PD**    |          |
| 11        | 14        | 1.5       | 30    | 5  | 8  |  | 2         | 30    | 6 | 10         | 3Nm     | 4Nm      |
| 13        | 16        | 1.5       | 30    | 5  | 8  |  | 2         | 30    | 6 | 10         | 3Nm     | 4Nm      |
| 15        | 18        | 1.5       | 30    | 5  | 8  |  | 2         | 30    | 6 | 10         | 3Nm     | 4Nm      |
| 17        | 20        | 1.8       | 30    | 5  | 8  |  | 2         | 30    | 6 | 10         | 3Nm     | 4Nm      |
| 19        | 22        | 1.8       | 30    | 5  | 8  |  | 2         | 30    | 6 | 10         | 3Nm     | 4Nm      |
| 20        | 24        | 1.8       | 35    | 5  | 8  |  | 2         | 35    | 6 | 10         | 3Nm     | 4Nm      |
| 22        | 26        | 1.8       | 35    | 5  | 8  |  | 2         | 35    | 6 | 10         | 3Nm     | 4Nm      |
| 24        | 28        | 1.8       | 35    | 5  | 8  |  | 2         | 35    | 6 | 10         | 3Nm     | 4Nm      |
| 26        | 30        | 2.2       | 40    | 6  | 10 |  | 2         | 40    | 6 | 10         | 3Nm     | 4Nm      |
| 28        | 32        | 2.2       | 40    | 6  | 10 |  | 2         | 40    | 6 | 10         | 3Nm     | 4Nm      |
| 31        | 35        | 2.2       | 40    | 6  | 10 |  | 2         | 40    | 6 | 10         | 3Nm     | 4Nm      |
| 34        | 38        | 2.2       | 40    | 6  | 10 |  | 2         | 40    | 6 | 10         | 3Nm     | 4Nm      |
| 35        | 40        | 2.2       | 40    | 6  | 10 |  | 2         | 40    | 6 | 10         | 3Nm     | 4Nm      |
| 37        | 42        | 2.2       | 40    | 6  | 10 |  | 2         | 40    | 6 | 10         | 3Nm     | 4Nm      |
| 40        | 45        | 2.2       | 40    | 6  | 10 |  | 2         | 40    | 6 | 10         | 3Nm     | 4Nm      |
| 43        | 48        | 2.2       | 50    | 6  | 10 |  | 2         | 40    | 6 | 10         | 3Nm     | 4Nm      |
| 45        | 50        | 2.2       | 50    | 6  | 10 |  | 2.3       | 40    | 6 | 10         | 3Nm     | 4Nm      |
| 47        | 52        | 2.2       | 50    | 6  | 10 |  | 2.3       | 50    | 6 | 10         | 3Nm     | 4Nm      |
| 50        | 55        | 2.2       | 50    | 6  | 10 |  | 2.3       | 50    | 6 | 10         | 3Nm     | 4Nm      |
| 53        | 58        | 2.2       | 50    | 6  | 10 |  | 2.3       | 50    | 6 | 10         | 3Nm     | 4Nm      |
| 55        | 60        | 2.2       | 60    | 6  | 10 |  | 2.3       | 50    | 6 | 10         | 3Nm     | 4Nm      |
| 54        | 62        | 2.2       | 60    | 6  | 10 |  | 2.3       | 50    | 6 | 10         | 3Nm     | 4Nm      |
| 60        | 65        | 2.2       | 60    | 6  | 10 |  | 2.3       | 50    | 6 | 10         | 3Nm     | 4Nm      |
| 63        | 68        | 2.5       | 60    | 6  | 10 |  | 2.3       | 50    | 6 | 10         | 3Nm     | 4Nm      |
| 65        | 70        | 2.5       | 70    | 6  | 10 |  | 2.3       | 50    | 6 | 10         | 3Nm     | 4Nm      |
| 70        | 75        | 2.5       | 70    | 6  | 10 |  | 2.3       | 50    | 6 | 10         | 3Nm     | 4Nm      |
| 75        | 80        | 2.5       | 70    | 6  | 10 |  | 2.3       | 50    | 6 | 10         | 3Nm     | 4Nm      |
| 80        | 85        | 2.5       | 70    | 6  | 10 |  | 2.3       | 50    | 6 | 10         | 3Nm     | 4Nm      |
| 84        | 90        | 2.5       | 70    | 8  | 13 |  | 2.3       | 50    | 6 | 10         | 3Nm     | 4Nm      |
| 89        | 95        | 2.5       | 70    | 8  | 13 |  | 2.3       | 50    | 6 | 10         | 3Nm     | 4Nm      |
| 94        | 100       | 2.5       | 80    | 8  | 13 |  | 2.3       | 60    | 6 | 10         | 3Nm     | 4Nm      |
| 98        | 105       | 2.5       | 80    | 8  | 13 |  | 2.3       | 60    | 6 | 10         | 3Nm     | 4Nm      |
| 103       | 110       | 2.5       | 80    | 8  | 13 |  | 2.3       | 60    | 6 | 10         | 3Nm     | 4Nm      |
| 108       | 115       | 2.5       | 80    | 8  | 13 |  | 2.3       | 60    | 6 | 10         | 3Nm     | 4Nm      |
| 113       | 120       | 2.5       | 80    | 8  | 13 |  | 2.3       | 60    | 6 | 10         | 3Nm     | 4Nm      |
| 118       | 125       | 2.5       | 80    | 8  | 13 |  | 2.3       | 60    | 6 | 10         | 3Nm     | 4Nm      |
| 123       | 130       | 2.5       | 80    | 8  | 13 |  | 2.3       | 60    | 6 | 10         | 3Nm     | 4Nm      |
| 128       | 135       | 2.5       | 80    | 8  | 13 |  | 2.6       | 60    | 6 | 10         | 3Nm     | 4Nm      |
| 133       | 140       | 2.5       | 80    | 8  | 13 |  | 2.6       | 60    | 6 | 10         | 3Nm     | 4Nm      |
| 138       | 145       | 2.5       | 80    | 8  | 13 |  | 2.6       | 60    | 6 | 10         | 3Nm     | 4Nm      |
| 143       | 150       | 2.5       | 80    | 8  | 13 |  | 2.6       | 60    | 6 | 10         | 3Nm     | 4Nm      |
| 148       | 155       | 2.5       | 80    | 8  | 13 |  | 2.6       | 60    | 6 | 10         | 3Nm     | 4Nm      |
| 153       | 160       | 2.5       | 80    | 8  | 13 |  | 2.6       | 60    | 6 | 10         | 3Nm     | 4Nm      |
| 158       | 165       | 2.5       | 80    | 8  | 13 |  | 2.6       | 60    | 6 | 10         | 3Nm     | 4Nm      |
| 163       | 170       | 2.5       | 80    | 8  | 13 |  | 2.6       | 60    | 6 | 10         | 3Nm     | 4Nm      |
| 168       | 175       | 2.5       | 80    | 8  | 13 |  | 2.6       | 60    | 6 | 10         | 3Nm     | 4Nm      |
| 173       | 180       | 2.5       | 80    | 8  | 13 |  | 2.6       | 60    | 6 | 10         | 3Nm     | 4Nm      |
| 178       | 185       | 2.5       | 80    | 8  | 13 |  | 2.6       | 60    | 6 | 10         | 3Nm     | 4Nm      |
| 185       | 195       | 2.5       | 80    | 8  | 13 |  | 2.6       | 60    | 6 | 10         | 3Nm     | 4Nm      |
| 195       | 205       | 2.5       | 80    | 8  | 13 |  | 2.6       | 60    | 6 | 10         | 3Nm     | 4Nm      |
| 205       | 215       | 2.5       | 80    | 8  | 13 |  | 2.6       | 60    | 6 | 10         | 3Nm     | 4Nm      |
| 215       | 225       | 2.5       | 80    | 8  | 13 |  | 2.6       | 60    | 6 | 10         | 3Nm     | 4Nm      |
| 225       | 235       | 2.5       | 80    | 8  | 13 |  | 2.6       | 60    | 6 | 10         | 3Nm     | 4Nm      |
| 235       | 245       | 2.5       | 80    | 8  | 13 |  | 2.6       | 60    | 6 | 10         | 3Nm     | 4Nm      |
| 245       | 255       | 2.5       | 80    | 8  | 13 |  | 2.6       | 60    | 6 | 10         | 3Nm     | 4Nm      |
| 255       | 265       | 2.5       | 80    | 8  | 13 |  | 2.6       | 60    | 6 | 10         | 3Nm     | 4Nm      |
| 265       | 275       | 2.5       | 80    | 8  | 13 |  | 2.6       | 60    | 6 | 10         | 3Nm     | 4Nm      |
| 275       | 285       | 2.5       | 80    | 8  | 13 |  | 2.6       | 60    | 6 | 10         | 3Nm     | 4Nm      |
| 285       | 295       | 2.5       | 80    | 8  | 13 |  | 2.6       | 60    | 6 | 10         | 3Nm     | 4Nm      |
| 295       | 305       | 2.5       | 80    | 8  | 13 |  | 2.6       | 60    | 6 | 10         | 3Nm     | 4Nm      |
| 305       | 315       | 2.5       | 80    | 8  | 13 |  | 2.6       | 60    | 6 | 10         | 3Nm     | 4Nm      |
| 315       | 325       | 2.5       | 80    | 8  | 13 |  | 2.6       | 60    | 6 | 10         | 3Nm     | 4Nm      |
| 325       | 335       | 2.5       | 80    | 8  | 13 |  | 2.6       | 60    | 6 | 10         | 3Nm     | 4Nm      |
| 335       | 345       | 2.5       | 80    | 8  | 13 |  | 2.6       | 60    | 6 | 10         | 3Nm     | 4Nm      |
| 345       | 355       | 2.5       | 80    | 8  | 13 |  | 2.6       | 60    | 6 | 10         | 3Nm     | 4Nm      |



Front view




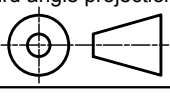
Iso view



\* All DWC Wire Clamps in W4 are assembled with M6 screws with slotted hexagon head.

| Revision history |            |  |        |
|------------------|------------|--|--------|
| Rev.             | Date       | Description                                    | AUTHOR |
| -                | 02-11-2005 | Creation DWC Datasheet W1                      | Martin |
| 1                | 16-01-2007 | Creation DWC Datasheet in W4                   | Martin |
| 2                | 14-7-2011  | New combined DWC Datasheet                     | Martin |
| 3                | 28-1-2014  | Drawing renewed                                | Gyula  |
| 4                | 4-9-2015   | Datasheet corrected according to manufacturing | Gyula  |

|  |   |  |
|--|---|--|
|  | Material: W1 / W4   | Dimensions: -  |
|  | Doc no.: DWC.dwg  |  |
| Third angle projection:  |  |  |
| Part number:   | <b>DWC</b>  |  |
| Drawn by: Martin   | Creation date: 7/13/2011  | Description:<br>MPC Industries DWC, Wire clamps, steel Zinc plated or stainless steel Aisi 304 |
| Checked by:  | Checked date:   |  |
| Scale: 1:1   | Units: mm   | Revision:<br><b>4</b>  |
| Status: Released   |   | Format:<br><b>A3</b>   |

NOTICE TO PERSONS RECEIVING THIS DRAWING AND/OR TECHNICAL INFORMATION:  
MPC Industries BV claims proprietary rights to the material disclosed hereon. This drawing and/or technical information is issued in confidence for engineering information only and may not be reproduced or used to manufacture anything shown or referred to hereon without direct written permission from MPC Industries BV to the user. This drawing and/or technical information is the property of MPC Industries BV and is loaned for mutual assistance to be returned when its purpose has been served.

THIS DRAWING AND/OR TECHNICAL INFORMATION IS THE PROPERTY OF MPC INDUSTRIES BV

MPC Industries B. V. Badweg 38 8401 BL Gorredijk Postbus 225 8400 AE Gorredijk. Tel.: . 0513 465477 Fax.: 0513 465736