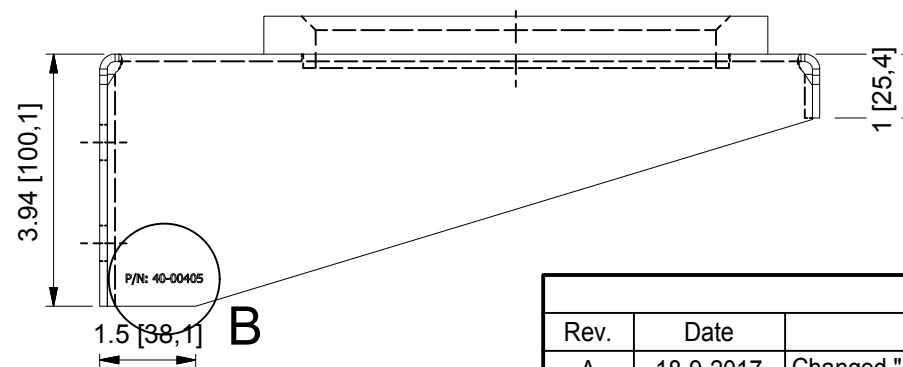
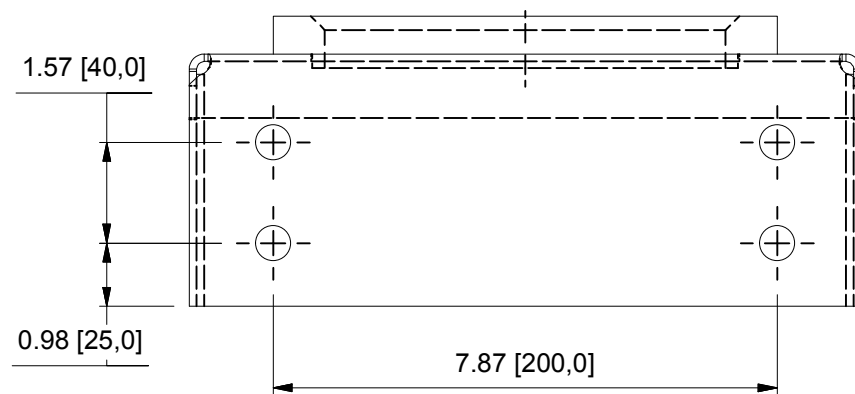


PARTS LIST			
Item	Qty	Description	Material
1	1	Bracket part sheet metal welded	Stainless Steel AISI 316
2	1	MPC Industries, Support Ring for Support Bracket L. NBR 80° Shore ±5°, black	NBR 80° Shore ±5°

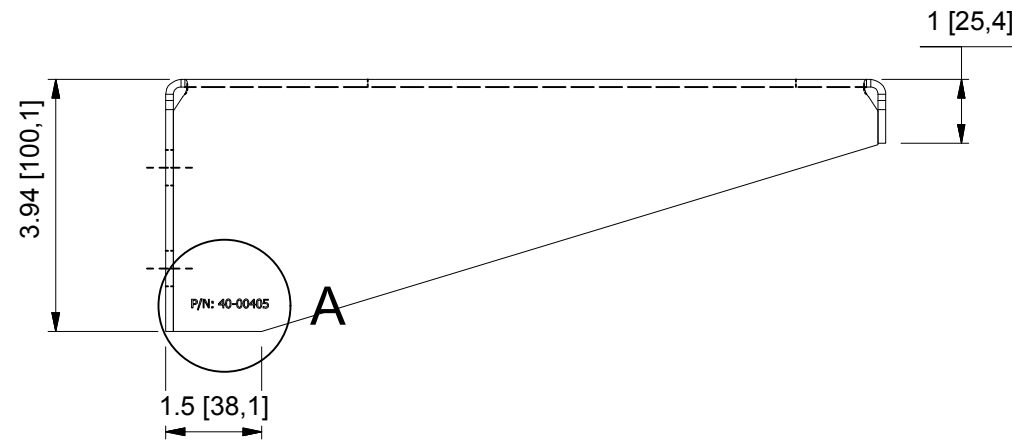
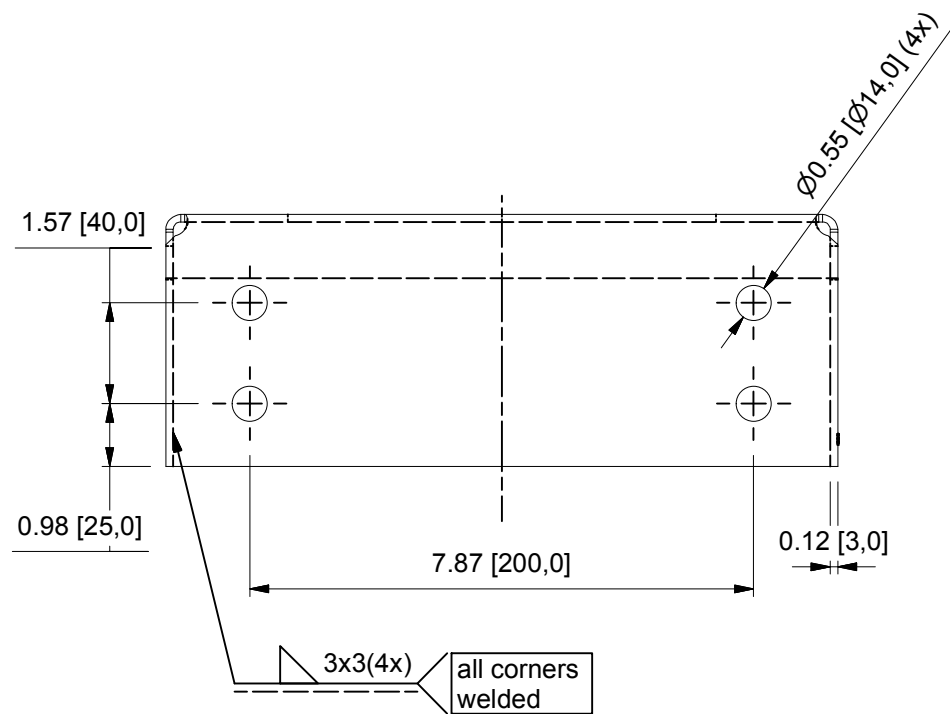
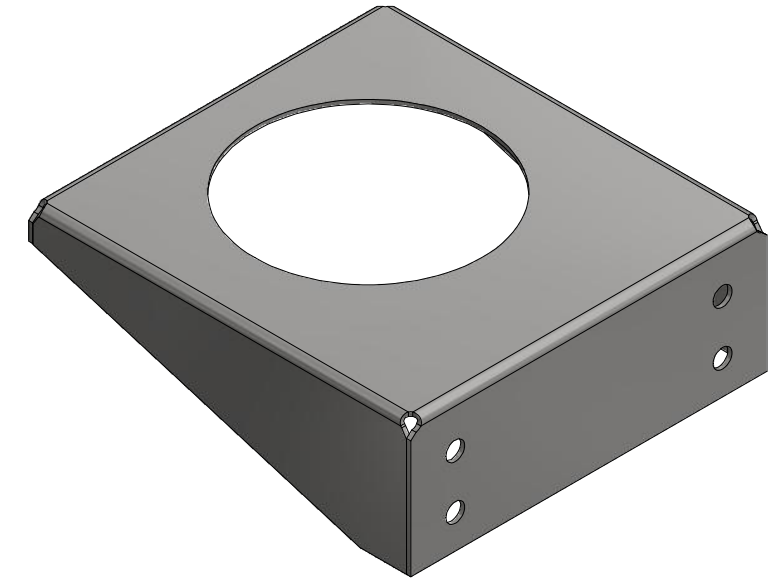
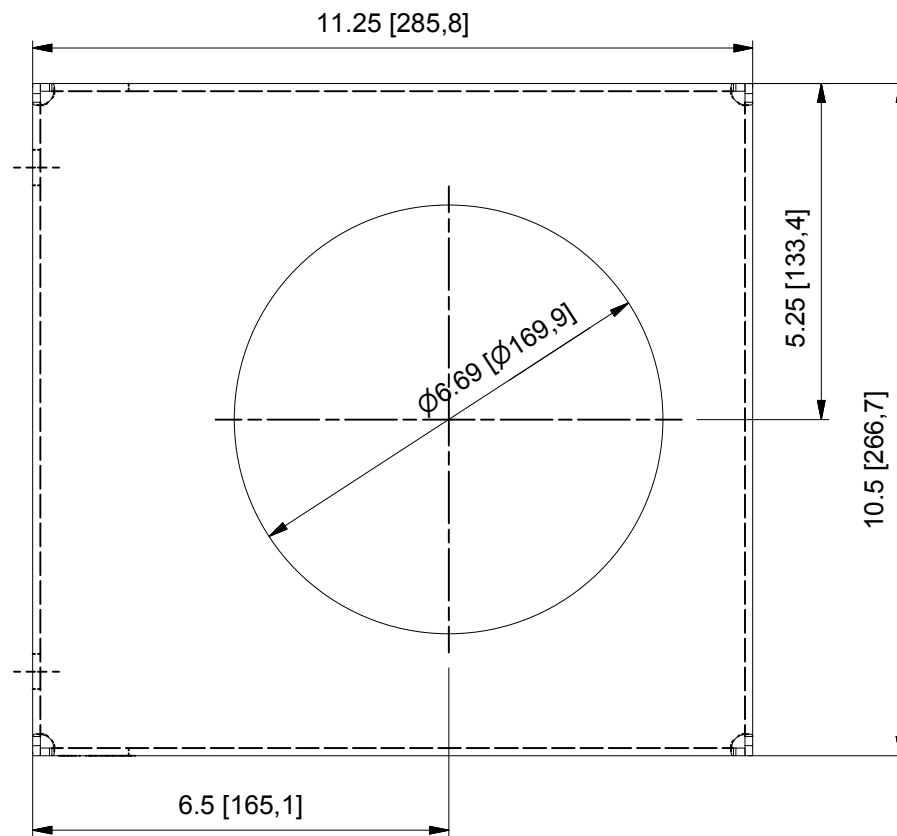


B (2 : 3)



Revision history			
Rev.	Date	Description	DESIGNER
A	18-9-2017	Changed "Checked by" and stauts to "Released"	M. Wiersma

		© 2016 MPC INDUSTRIES BV, developed and designed by MPC INDUSTRIES BV	
General Tolerances: according to: DIN 2768-vL		SURFACE TREATMENT AND OR PROTECTION:	
<p>NOTICE TO PERSONS RECEIVING THIS DRAWING AND/OR TECHNICAL INFORMATION:</p> <p>MPC Industries BV claims proprietary rights to the material disclosed hereon. This drawing and/or technical information is issued in confidence for engineering information only and may not be reproduced or used to manufacture anything shown or referred to hereon without direct written permission from MPC Industries BV to the user. This drawing and/or technical information is the property of MPC Industries BV and is loaned for mutual assistance to be returned when its purpose has been served.</p> <p>THIS DRAWING AND/OR TECHNICAL INFORMATION IS THE PROPERTY OF MPC INDUSTRIES BV</p> <p>DO NOT SCALE FROM DRAWING.</p>		Material:	Mass: 3,016 kg
Doc no.: ASB5-11501175.dwg		Sheet: 1 / 3	
Third angle projection:		Part number:	
		ASB5-11501175	
Drawn by: M. Wiersma	Creation date: 6-9-2017	Description: MPC Accumulator Support Bracket for vertical mouting for 10-12 inch vessel together with clamp Assembly AS2-511501175	Revision: A
Checked by: R. Tirry	Checked date: 18-9-2017		
Scale 1 : 3	Units: inch [mm]	Format: A3	
Status: Released			

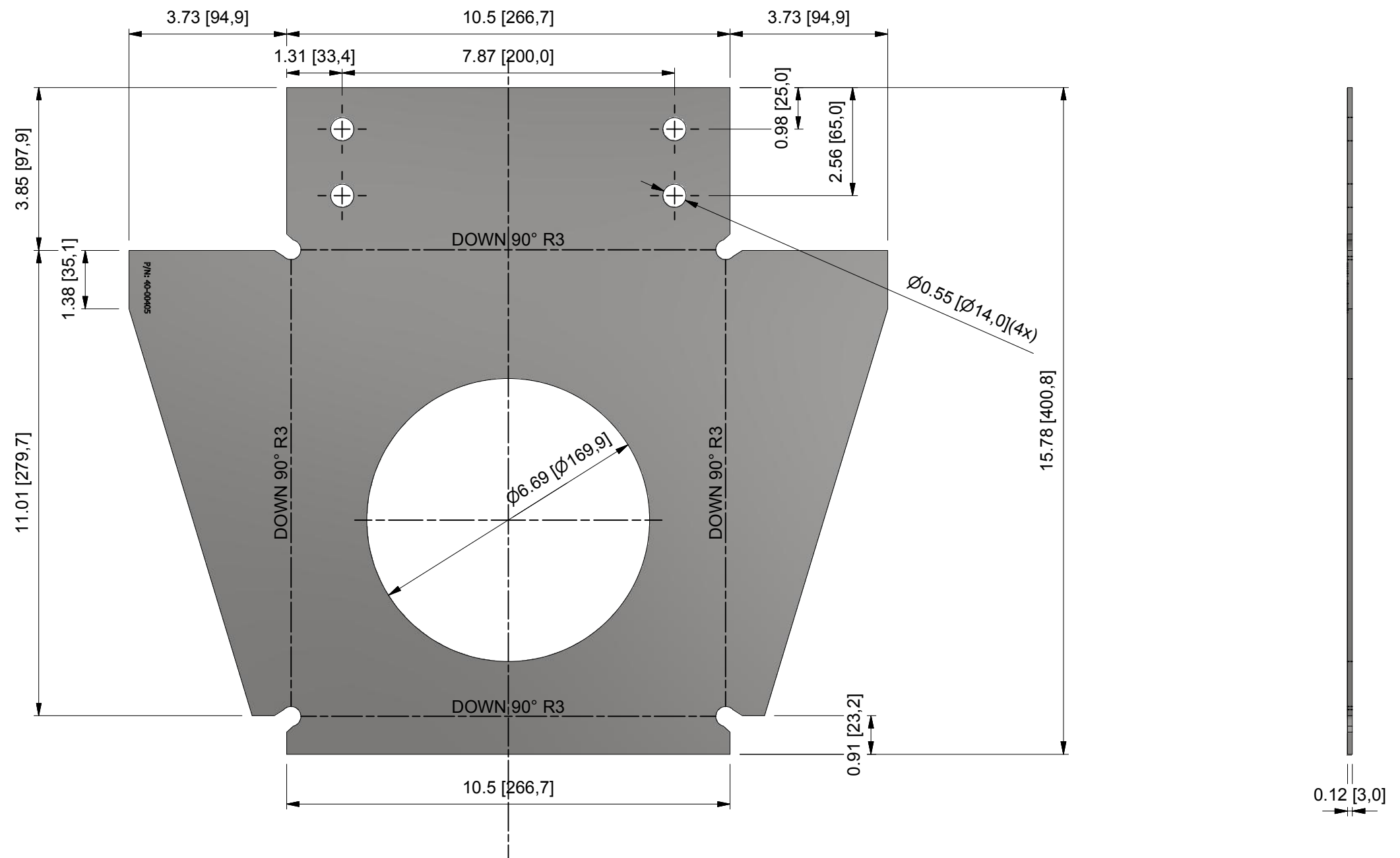



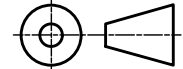
A (2 : 3)



		© 2016 MPC INDUSTRIES BV, developed and designed by MPC INDUSTRIES BV	
		General Tolerances: according to: DIN 2768-vL	
<p>NOTICE TO PERSONS RECEIVING THIS DRAWING AND/OR TECHNICAL INFORMATION:</p> <p>MPC Industries BV claims proprietary rights to the material disclosed hereon. This drawing and/or technical information is issued in confidence for engineering information only and may not be reproduced or used to manufacture anything shown or referred to hereon without direct written permission from MPC Industries BV to the user. This drawing and/or technical information is the property of MPC Industries BV and is loaned for mutual assistance to be returned when its purpose has been served.</p> <p>THIS DRAWING AND/OR TECHNICAL INFORMATION IS THE PROPERTY OF MPC INDUSTRIES BV.</p> <p>DO NOT SCALE FROM DRAWING.</p>		SURFACE TREATMENT AND OR PROTECTION:	
		Material: Stainless Steel, Austenitic	
Doc no.: ASB5-11501175.dwg		Sheet: 2 / 3	
Third angle projection:		Part number:	
		ASB5-11501175	
Drawn by: M. Wiersma	Creation date: 6-9-2017	Description: Sheet metal Bracket ASB5-11501175	Revision: A
Checked by: R. Tirry	Checked date: 18-9-2017		
Scale 1 : 3	Units: inch [mm]	Format: A3	
Status: Released			
MPC Industries B. V. Badweg 38 8401 BL Gorredijk Postbus 225 8400 AE Gorredijk. Tel.: . 0513 465477 Fax.: 0513 465736			

Flat pattern (1 : 3)



		© 2016 MPC INDUSTRIES BV, developed and designed by MPC INDUSTRIES BV	
		General Tolerances: according to: DIN 2768-vL	
SURFACE TREATMENT AND/OR PROTECTION:			
NOTICE TO PERSONS RECEIVING THIS DRAWING AND/OR TECHNICAL INFORMATION: MPC Industries BV claims proprietary rights to the material disclosed herein. This drawing and/or technical information is issued in confidence for engineering information only and may not be reproduced or used to manufacture anything shown or referred to hereon without direct written permission from MPC Industries BV to the user. This drawing and/or technical information is the property of MPC Industries BV and is loaned for mutual assistance to be returned when its purpose has been served. THIS DRAWING AND/OR TECHNICAL INFORMATION IS THE PROPERTY OF MPC INDUSTRIES BV. DO NOT SCALE FROM DRAWING.		Material: Stainless Steel, Austenitic	Mass: 2,841 kg
		Doc no.: ASB5-11501175.dwg	Sheet: 3 / 3
		Third angle projection:	Part number:
			ASB5-11501175
Drawn by: M. Wiersma	Creation date: 6-9-2017	Description:	Revision:
Checked by: R. Tirry	Checked date: 18-9-2017	Sheet metal Bracket ASB5-11501175	A
Scale 1 : 3	Units: inch [mm]		Format:
Status: Released			A3
MPC Industries B. V. Badweg 38 8401 BL Gorredijk Postbus 225 8400 AE Gorredijk. Tel.: . 0513 465477 Fax.: 0513 465736			