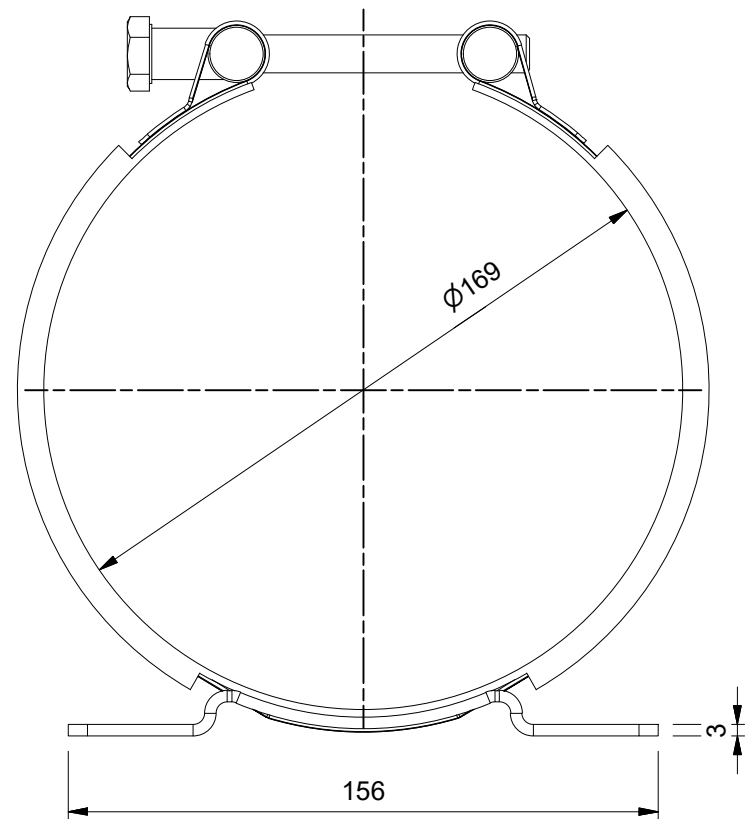
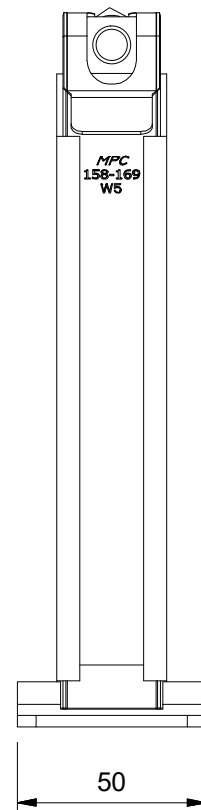


Parts identification (1 : 2)

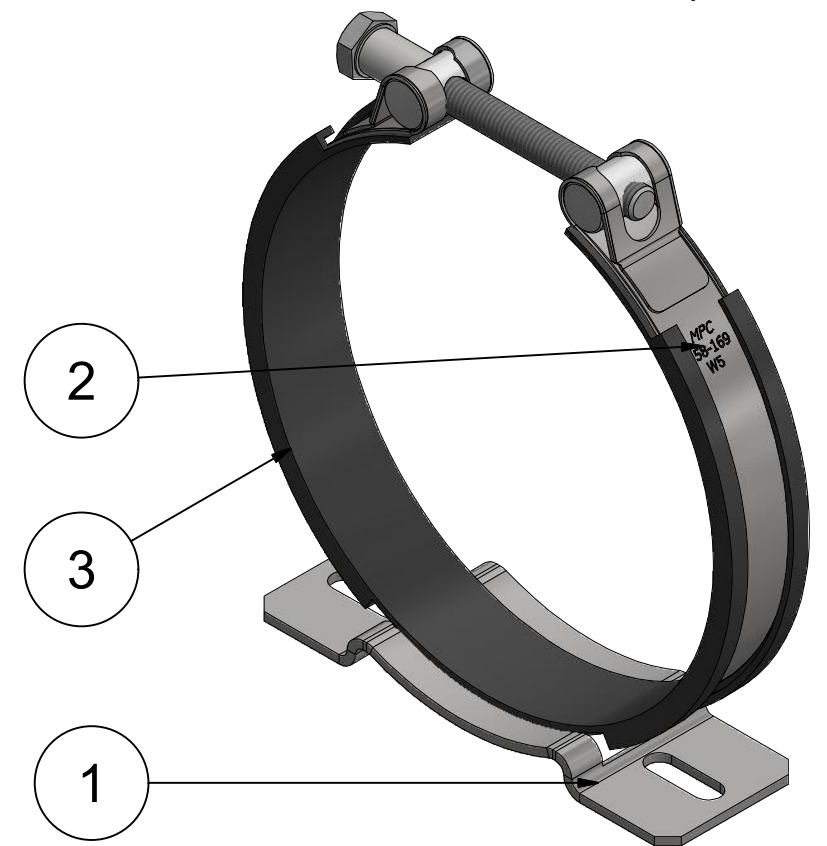
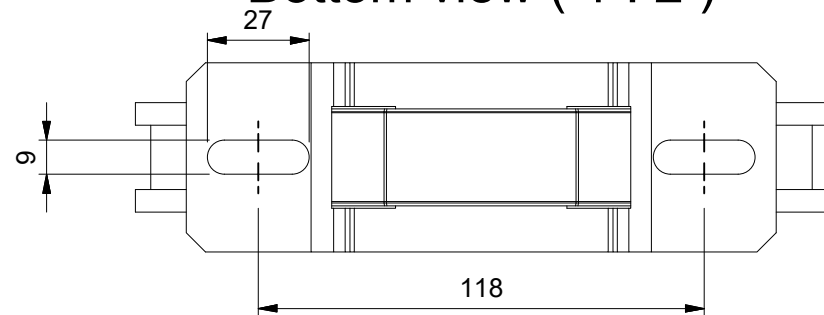
Front view (1 : 2)




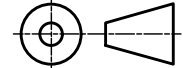
Side view (1 : 2)



Bottom view (1 : 2)



Item	Qty	Description	Material
1	1	Console for light accuclamp, 1R, W5	Stainless Steel AISI 316
2	1	Clamppart	Stainless Steel AISI 316
3	1	Rubber profile	EPDM Rubber Shore hardness 65°±5°

		© 2015 MPC INDUSTRIES BV, developed and designed by MPC INDUSTRIES BV	
		General Tolerances: according to: DIN 2768-vL	
NOTICE TO PERSONS RECEIVING THIS DRAWING AND/OR TECHNICAL INFORMATION: MPC Industries BV claims proprietary rights to the material disclosed hereon. This drawing and/or technical information is issued in confidence for engineering information only and may not be reproduced or used to manufacture anything shown or referred to hereon without direct written permission from MPC Industries BV to the user. This drawing and/or technical information is the property of MPC Industries BV and is loaned for mutual assistance to be returned when its purpose has been served. THIS DRAWING AND/OR TECHNICAL INFORMATION IS THE PROPERTY OF MPC INDUSTRIES BV. DO NOT SCALE FROM DRAWING.		Material: _____ Mass: 0.442 kg Doc no.: ACCUL5158169.dwg Third angle projection: 	
Part number: <h1>ACCUL5158169</h1>		Description: MPC Industries, Light accumulator clamp, Ø 158-169 mm, W5	
Drawn by: Gy.Kardos Checked by: Scale 1:2 Status: Released	Creation date: 08/06/2016 Checked date: Units: mm	Revision: Format: <h2>A3</h2>	MPC Industries B. V. Badweg 38 8401 BL Gorredijk Postbus 225 8400 AE Gorredijk. Tel.: 0513 465477 Fax.: 0513 465736