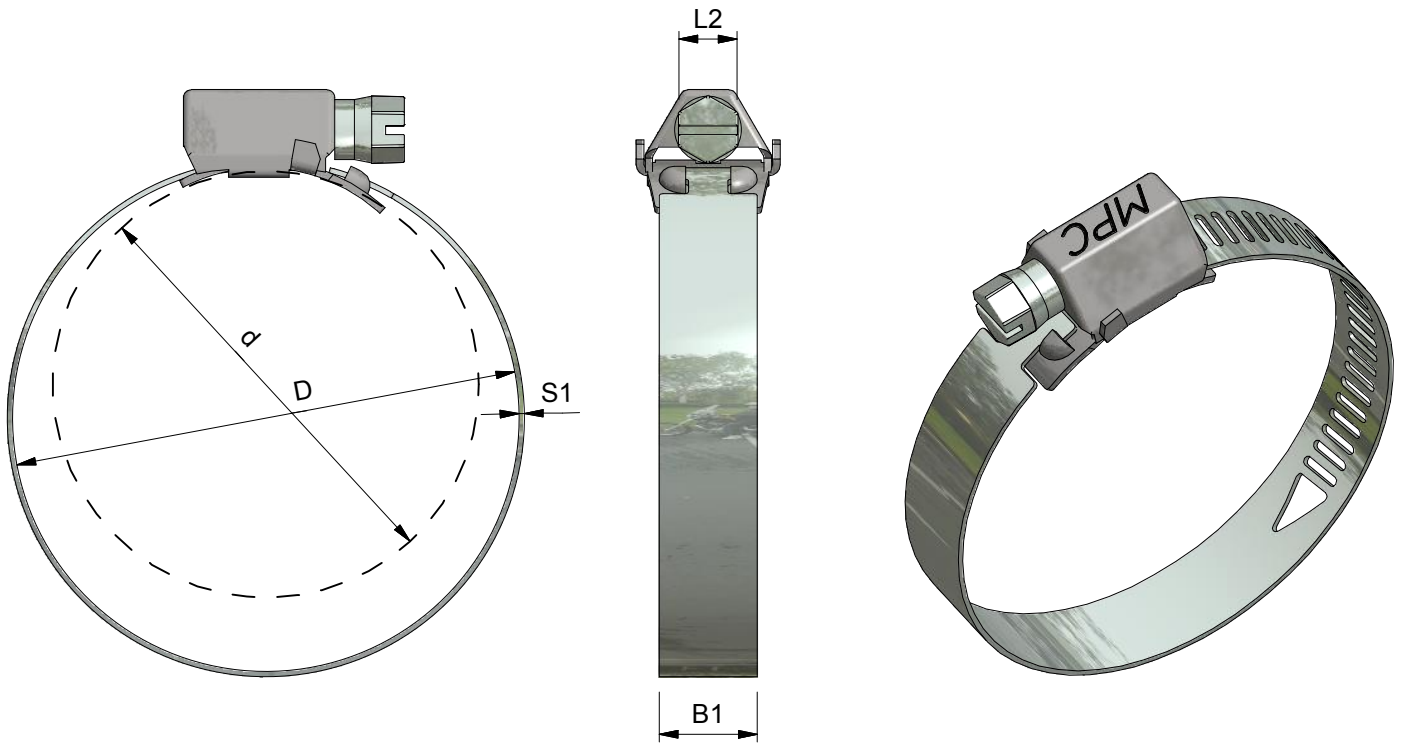


MPC TYPE "BA"


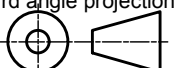


SIZES

clamp size minimum:	clamp size maximum:	Band width:	Band Thickness	Hexagon head Screw	Tightening Torque:	Braking Torque:
d	D	B1	S1	L2	AD*	PD**
14	22	14	0,7	C8	4 Nm	5 Nm
18	28	14	0,7	C8	4 Nm	5 Nm
24	36	14	0,7	C8	4 Nm	5 Nm
25	45	14	0,7	C8	4 Nm	5 Nm
32	52	14	0,7	C8	4 Nm	5 Nm
40	60	14	0,7	C8	4 Nm	5 Nm
47	67	14	0,7	C8	4 Nm	5 Nm
62	82	14	0,7	C8	4 Nm	5 Nm
77	97	14	0,7	C8	4 Nm	5 Nm
92	112	14	0,7	C8	4 Nm	5 Nm
107	127	14	0,7	C8	4 Nm	5 Nm
122	142	14	0,7	C8	4 Nm	5 Nm
137	157	14	0,7	C8	4 Nm	5 Nm
152	172	14	0,7	C8	4 Nm	5 Nm
167	187	14	0,7	C8	4 Nm	5 Nm
182	202	14	0,7	C8	4 Nm	5 Nm
197	217	14	0,7	C8	4 Nm	5 Nm
212	232	14	0,7	C8	4 Nm	5 Nm
227	247	14	0,7	C8	4 Nm	5 Nm
242	262	14	0,7	C8	4 Nm	5 Nm

AD*= Maximum advised torque.

PD**=Minimum test torque in Nm according to DIN 3017-1.

	Material:	W2, W4	Part number:	BA clamp	
	Third angle projection:		Description:	MPC Industries BA clamp According to NF E 27 851	
Drawn by: Gyula	Creation date: 24-3-2014			Revision:	
Scale 1:1	Units: mm			Format:	A4